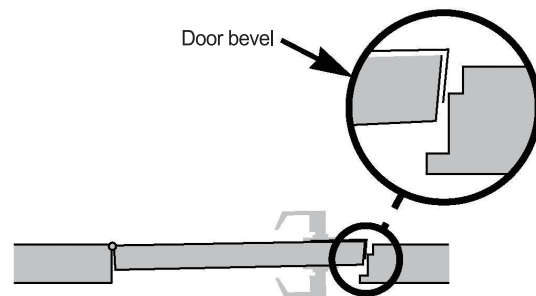
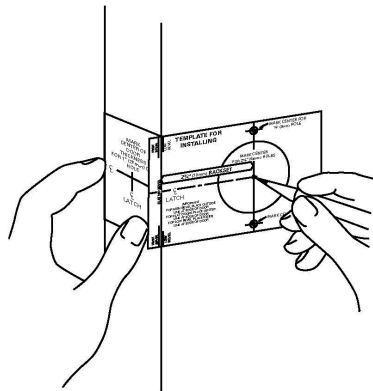


Instructions For Installing Heavy Duty Lever Lockset

NOTE : Accurate door preparation is essential for proper functioning of this lock. Follow template and instructions carefully.

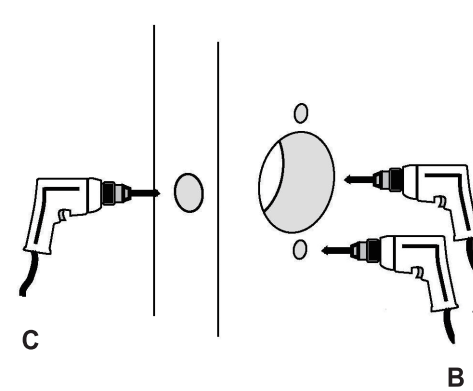
Door and jamb preparation



1. Mark door

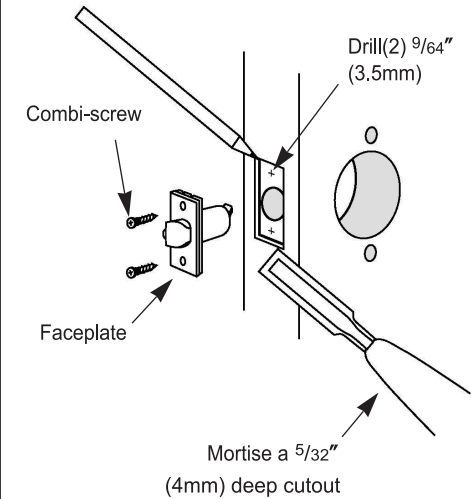
- A. Check lock for proper backset before marking.
 - B. Detach stub.
 - C. Fold template at correct marking for door bevel of door (high or low bevel, or flat).
 - D. Position template at correct height (recommended height for centerline is 38" (97cm) from floor).
 - E. Mark center for 2¹/₈" (54mm) hole.
 - F. Also mark for (2)⁵/₁₆" (8mm) holes for mounting screws.
 - G. Use stub to mark center of door thickness.
- HINT :** For retrofitting existing lock holes, fold template in half to position for the mounting screw.

2. Drill holes



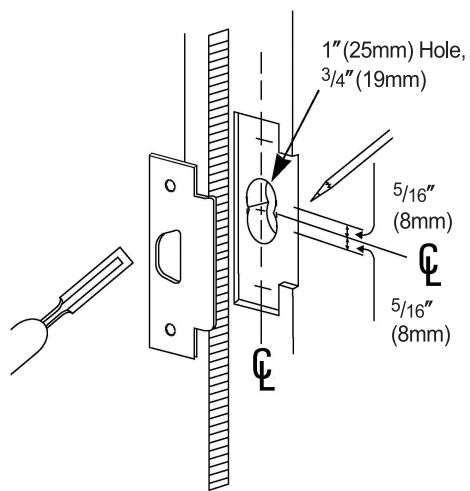
- A. Drill a 2¹/₈" (54mm) hole through door (from both sides to avoid damaging door).
- B. Drill (2) ⁵/₁₆" (8mm) holes for through-bolt
NOTE : Do not drill the (2) ⁵/₁₆" (8mm) holes for locks No through - bolt type
- C. Drill a 1" (25mm) hole in door edge.

3. Install latch

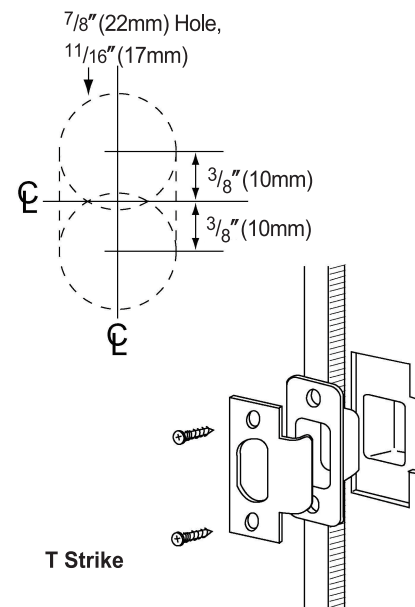


- A. Insert latch into hole. Trace around faceplate
- B. Chisel out wood until faceplate fits flat with door edge.
- C. Drill (2) ⁹/₆₄" (3.5mm) holes and secure latch unit with combi-screws supplied.
- D. Fasten latch to door so that beveled side of latchbolt faces jamb.

4. Install strike



ASA Strike - Standard



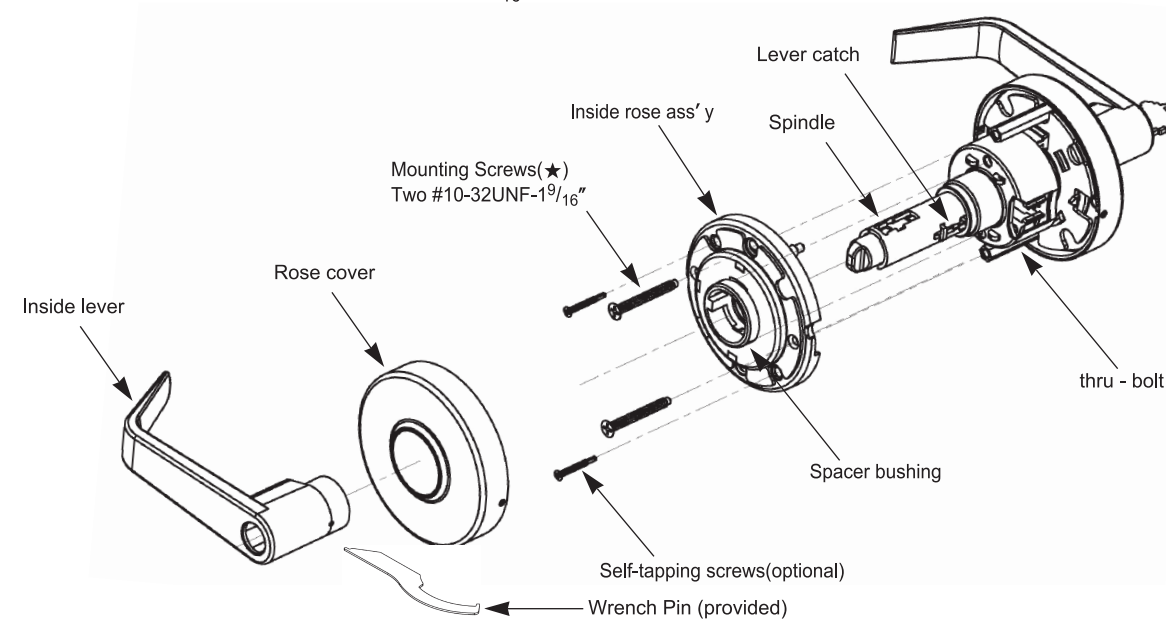
T Strike

- A. Mark vertical line and heightline on jamb exactly opposite center of latch hole.
- B. Drill (2) 1" (25mm) holes, ³/₄" (19mm) deep, ⁵/₁₆" (8mm) above and below heightline.
- C. Use strike plate to pattern for cutout. Clean out hole and install strike.

- A. Mark vertical line and heightline on jamb exactly opposite center of latch hole.
- B. Drill (2) ⁷/₈" (22mm) holes, ¹¹/₁₆" (17mm) deep, into doorjamb as shown.
- C. Mortise a cutout for the strike. Use strike as a pattern for the mortise.
(Strike should fit flush with the doorjamb.)

Lock Installation

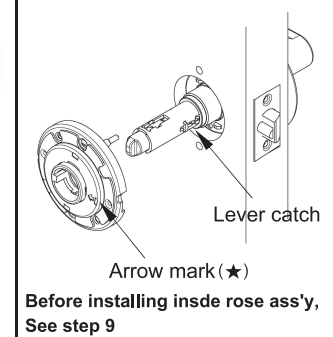
NOTE : Use Mounting screws(★) (two #10-32UNF-1⁹/₁₆" provided) to secure thru - bolts .



- A. Push to depress lever catch and remove lever.
- B. Rotate inside rose cover to remove cover and rose ass'y.

5. Disassemble inside trim

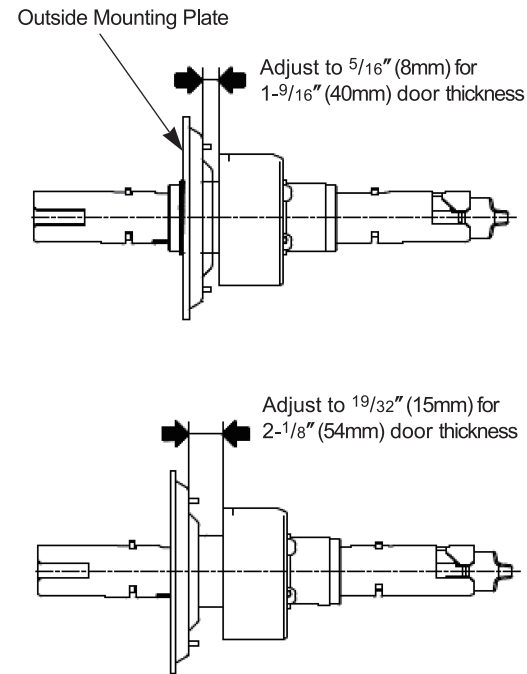
Tip for Inside rose ass'y



Before installing inside rose ass'y, See step 9

6. Adjust for door thickness

LOCKSET IS FACTORY PRESET FOR 1³/₄" (45mm) DOORS.

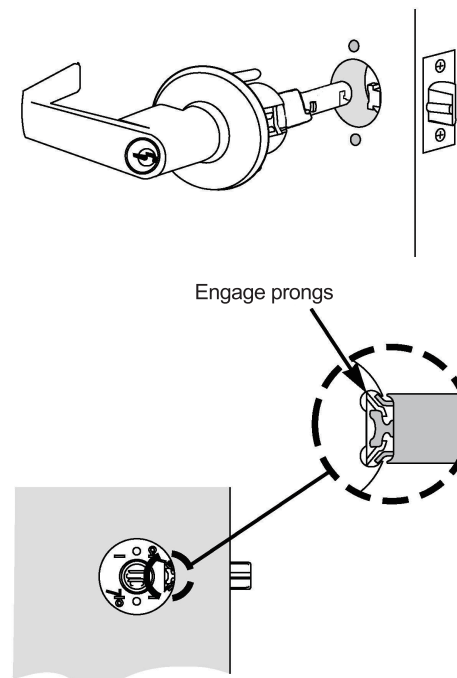


- It can be adjusted for door thickness range from 1⁹/₁₆" up to 2¹/₈"**
 For adjustment of nonstandard door thickness, follow step 11, then :
- Rotate outside rose plate for proper door thickness as shown left.
 - Assemble outside rose assembly onto chassis while inserting inner posts through holes in the plate.
 - Insert spacer bushing and assemble outside lever by reversing procedure.

NOTE: See Step 11, must be done if you have to make adjustments for door thickness

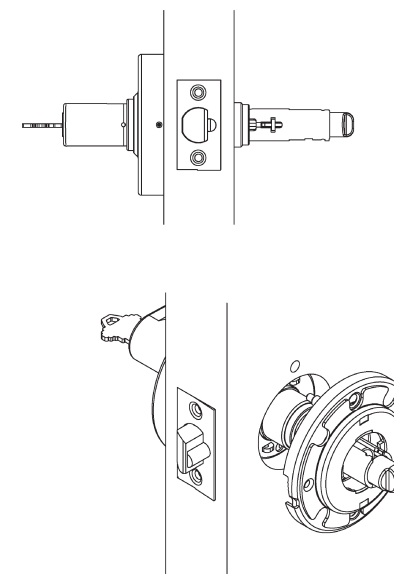
ADJUSTMENT FOR DOOR THICKNESS

7. Install outside unit



IMPORTANT : Place outside lock unit into position. Make sure that latch prongs engage chassis housing, and retractor engages latch bar

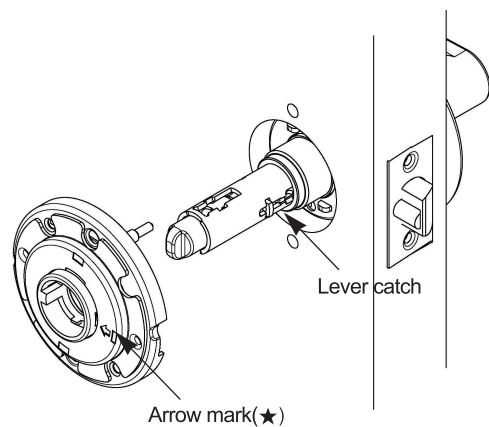
8. Install inside rose assembly



- CAUTION :** When using power screwdriver for installation, set to minimum torque setting.
- Inside rose ass'y
- Spacer bushing
- NOTE 1 :** Mounting Screw(★)
(Two #10-32UNF × 1⁹/₁₆" screws)
- NOTE 2 :** Self - tapping screws(Optional)

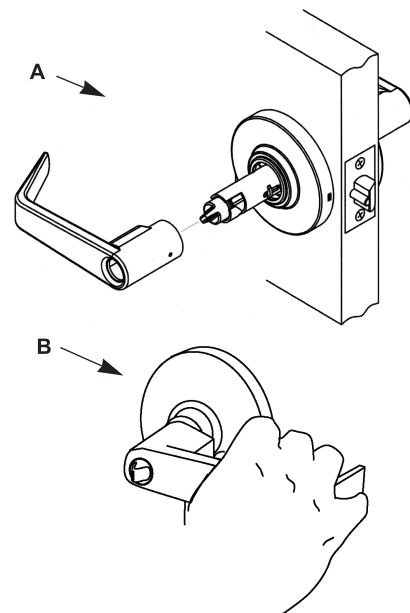
- Hold outside unit in place.
- Put inside rose assembly into position on chassis.
- Insert and tighten mounting screws(★) (two #10 - 32UNF × 1⁹/₁₆" screws provided)
- And may secure more with 2 self - tapping screws(provided) onto door surface at user discretion.
- Put on rose cover and rotate clockwise.

9. Tip for inside rose ass'y



- When putting inside rose assembly into position on chassis, It needs to align the direction of arrow mark(★) with lever catch.

10. Install inside lever

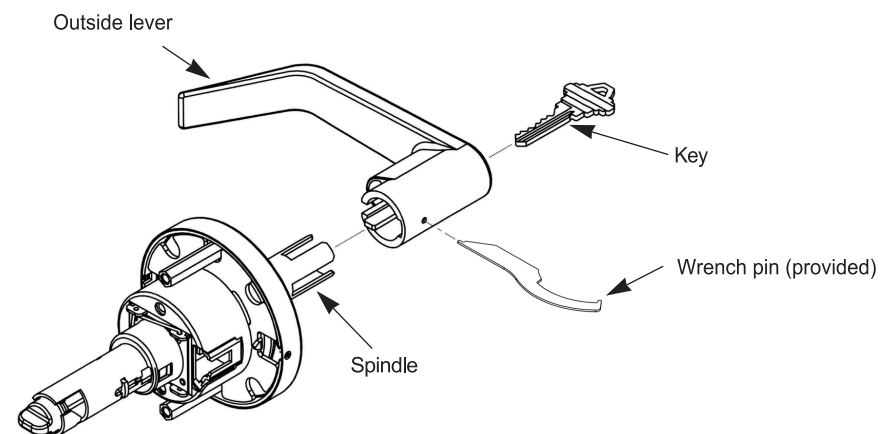


- Slide inside lever onto spindle. Push lever completely into place. (Pull on lever to make sure that catch is fully engaged.)
- Test operation of lock to make sure you have followed instructions correctly.

How to remove & reassemble outside lever

11. Remove outside lever

NOTE: Required if you re-key the lock or adjust the door thickness (See Step 6)



- Insert key into cylinder. Insert wrench pin(provided) into hole in lever. Turn key one - quarter turn and push pin to depress lever catch. Slide the lever from spindle.

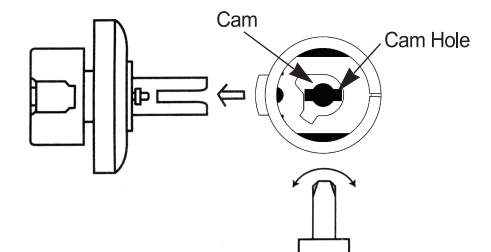
12. Reassemble outside lever

Reverse Step 11 to reassemble levers.

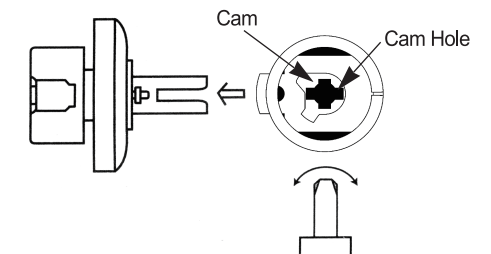
- To reassemble. Put a cylinder and key in lever.
- Push cylinder further in until it engages retractor.
- Turn key 90° clockwise and hold a key.
- Depress lever catch and push lever (Not key) in until it clicks then release a key.

CAUTION FOR CLASSROOM FUNCTION

A. CLASSROOM



B. INTERCHANGEABLE CORE CLASSROOM



- (1) Locking:** Turn key 360 degree counter - clockwise.
- (2) Unlocking:** Turn key 360 degree clockwise.

(★) Make sure to turn cam counter clockwise with a screw driver as far as it will go before reassembling of cylinder to prevent mis-positioning of cam for classroom function.